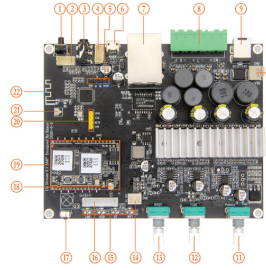


HornAudio "Sounds Like Magic" Up2Stream AMP2.1 User Manual

Up2Stream AMP2.1 is a WiFi and Bluetooth 5.0 amplifier with subwoofer output board that can be applied into your existing regular audio system to make it wireless enabled, and it is also a all-in-one solution for DIYers to make their customized wireless audio system. After connecting the device to your home network with our 4STREAM app, you can play music from your home NAS, USB pen drive, cell phone memory or from online streaming services like Spotify, Deezer, Tidal, Qobuz and so on. The wireless multiroom audio system can play the same music to eachroom in sync or play different music to different rooms.

Interface



- ① Power Button
- ② DGND, MICIN, AGND
- ③ Line-in
- ④ LINE-INR, AGND, LINE-INL, DGND
- ⑤ GND, B1, B0, SPDIF
- ⑥ Mirco USB
- ⑦ USB, Ethernet RJ45
- ⑧ Speaker-Out (R+,R-,L+,L-,SW+,SW-)
- ⑨ DC-IN
- ⑩ GND, VIN
- ⑪ Volume control knob
- ⑫ Tone control knob
- ⑬ Bass control knob
- ⑭ +5V, GND
- ⑮ LED
- ⑯ D3.3V, GND, WPS, LINE-LED, USB-LED, BT-LED, WIFI-LED, ADC-KEY, IR
- ⑰ IR
- ⑱ WIFI Antenna
- ⑲ WIFI Module
- ⑳ GPIO, STB, MUTE, GND
- ㉑ Bluetooth Antenna
- ㉒ Onboard Bluetooth Antenna

① **Power Button:** Short press once: switch input mode; Long press: Switch on/off; Short press twice: Re-pair Wifi or Bluetooth in Wifi or Bluetooth mode; Short press three times: Restore to factory settings.

*When device is off, just short press the power button to active the device.

⑪ **Volume control knob:** Short press to switch input mode: Wifi, BT, USB, Line in, USB.

⑫ **Tone control knob:** Short press to reset treble level to 0, long press 5sec to increase crossover frequency by 10Hz. (Crossover frequency range from 80-200Hz)

⑬ **Bass control knob:** Short press to reset bass level to 0, long press 5sec to decrease crossover frequency by 10Hz. (Crossover frequency range from 80-200Hz)

App download

Download the 4STREAM application from App Store for iOS based devices and Google Play Store for Android based devices. The application supports English, Spanish, French, German, Italian, Portugese, Korean, Simplified Chinese, Traditional Chinese and Japanese



First time usage & BLE WiFi Setup:

- Hold the POWER button then plug in the power cable.
- The LED light will start flashing, release the button and wait till the LED flash slowly.
- Make sure your mobile has connected to your home network using 2.4G and your GPS and Bluetooth is on.
- Open 4Stream APP, for Android device, the system will ask for permission to use GPS data & File storage, please click accept to continue. This GPS permission is setup by Google for BLE usage, once setup is finish you can go to system settings and disable it, file storage permission is to let 4Stream access your mp3 files store in your mobile.
- 4Stream APP will list out all the device available for setup, choose the one you want.
- 4Stream APP will then ask you to choose the network you want the device to connect to, choose the one you want to connect.
- Now enter password for your network, if this is not the network you want the device to

connect, you can change it to the desire one.
 8) Once connection is finished, it will automatically check for new updates.
 9) Then you can change the name of the device. You can select a preset one or enter your own.
 10) After you define the name of the device, you will see it appears in the device list in 4stream app and now you can start streaming music.
 *If you change to another router, or the password of the connected router has been changed, please long press POWER button for 5 secs in WiFi mode to reset the connection.
 * Hold POWER button then plug in the power can force the device to enter WiFi mode. If you have setup router connection before, the device will auto connect to that router.

There is another way to setup Wifi if the above method has failed:

- Hold the POWER button then plug in the power cable.
- The LED light will start flashing, release the

button and wait till the LED flash slowly.
 3. Goto your mobile WiFi settings and search for SoundSystem_xxxx WiFi and connect. *If you can not find SoundSystem connection, long press the POWER button for 5 secs and then refresh your mobile's WiFi listing.
 4. Open 4Stream APP and there will be 2 options: Direct Mode & Add Device.
 5. Direct Mode: If you don't have router, please choose direct mode. After connected, you can play music store in your mobile.
 6. Add Device: After you choose add device, select the router SSID you want your Up2Stream device connect to (enter password if required) and select continue.
 7. Once connected, you can change the name of the device. You can select a preset one or enter your own.
 8. After you define the name of the device, you will see it appears in the device list in 4stream app and now you can start streaming music.

Connection via LAN

Plug in the wired cable to the RJ45 Ethernet, the device will show on the app in about 10 seconds. (Note: the cell phone and the device must be in the same network)

Bluetooth

To use bluetooth, please switch to bluetooth via app or by remote controller, then find bluetooth device SoundSystem_XXXX from your phone bluetooth setting and pair it.

USB Audio

Power up and connect the Up2Stream AMP to your PC with USB cable (make sure it's a data cable including the signal wires). The PC will automatically discover a USB sound card and when you activated it as the system main output, the PC will send the audio output over Up2Stream AMP in digital (44.1kHz/16bits). You can stream to other Up2Stream devices over multiroom connection. NOTE: There's about 3 seconds delay for multiroom slave devices.

Firmware Update

The application will notify you in app when there is a new firmware version available. It's recommended to update firmware whenever available as this might not only correct bugs or improve security, but also can add new features or services.

Support: info@arylic.com



Complete User Manual



www.arylic.com



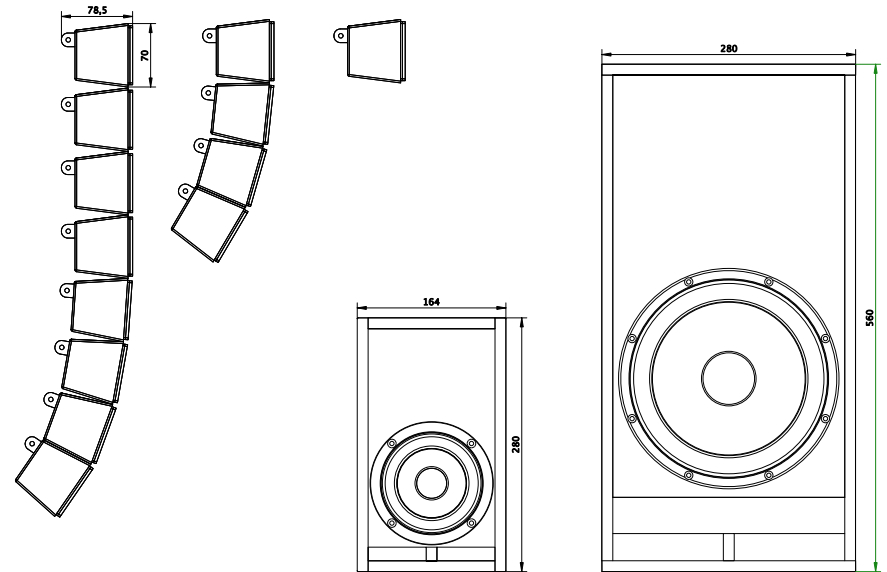
4STREAM App



Facebook: arylictime



YouTube: Arylic



Configuration

The Pixi loudspeakers can be combined with our subs **Sim** or **Sala** depending on the desired output.

Create a line array or surface array by connecting several **Pixies**. Additional subs can also be added.

Visit www.horn-audio.com for more info.

Specification Pixi 102 loudspeaker

	1 Pixi	4 Pixies	8 Pixies
Output Power RMS	12 watt	48 watt	96 watt
Soundpressure 1m	92 dB	98	101 dB
Impedance	8Ω	8Ω	4Ω
Frequency Response (-10 dB)	150-21.000	140-21.000	135-21.000
Weight	0,2 kg	0,8 kg	1,6 kg
Dimensions (cm)	7x7x8	280x7x8	560x7x8

Specification Subwoofers

	SIM 104 SUB	SALA 108 SUB
Output Power RMS	30 watt RMS	50 watt RMS
Soundpressure 1m	102 dB	108dB
Impedance	4Ω	4Ω
Frequency Responce (-10dB)	38-380 Hz	36-360 Hz
Weight	3.2 kg	7,2 kg
Dimensions (cm)	280x280x164	560x280x280

Specification Arylic AMP 2.1

Connectivity	Wireless network	IIEEE802.11 b/g/n 2.4G
	Ethernet	Single 10/100M RJ45
	Bluetooth	5.0, SPS/AAC
	USB Host	Play USB music
Bluetooth Distance	10M	
Power Input	DC 12V - 24V	
Audio Input	Analog 3.5mm/4pin connector/Micro USB	
Audio output	Analog Speaker out with subwoofer out (PIN SPACE-5.0mm)	
Frequency response	20Hz to 20kHz	
Volume Control	Volume Knob, Treble Knob, Bass Knob	

Speaker Power	2x50W@4Ω + 100W@2Ω BTL load at 24V 2x30W@8Ω + 75W@4Ω BTL load at 24V 2x22W@8Ω + 48W@4Ω BTL load at 19V 2x15W@8Ω + 30W@4Ω m BTL load at 15V
THD+N	<0.03%, @1kHz/1W/24V/4Ω
Speaker Impedance	4-8ohms
Music Format	FLAC/MP3/AAC/AAC+/ALAC/APE/WAV
Decoding	Up to 24bit/192kHz
Protocols	AirPlay, DLNA, UPnP, Spotify Connect, Qplay
Dimensions	124*100*25mm
IR Remote Controller	Optional